

Caretaker™
LED Area Luminaire

STREETWORKS



Cooper Lighting
by **EATON**



BORDER STATES
Supply Chain Solutions™

An Economical LED Dusk-to-Dawn Solution

Combining high performance, low maintenance and easy installation, the Caretaker™ LED luminaire is a simple, economical answer for dusk-to-dawn lighting needs. Designed for years of worry-free operation, the Caretaker luminaire is the perfect area lighting solution for both full-cutoff needs, or landmark applications where a highly visible light source is desired.

Construction

- Hinged removable power door for easy maintenance.
Optional tool-less entry available
- LED driver is mounted directly to removable door
- Fully compatible with ANSI/NEMA open-bottom refractor
- IP66 rated LED module
- UL wet location rated housing
- Rugged, die-cast aluminum construction
- NEMA photocontrol receptacle
- Two-bolt mounting for 1-1/4" to 2" standard pipe
(1-5/8" to 2-3/8" O.D.)

Performance and Electrical

- -40°C to 40°C ambient operating temperatures
- 6kV/3kA IEEE 62.41 Class C low surge protection with
10kV/10kA Class C high surge protection available
- L86 36,000 hours at 25°C, compliant with IESNA TM-21
- 120V/60Hz operation

Warranty

- Five-year warranty

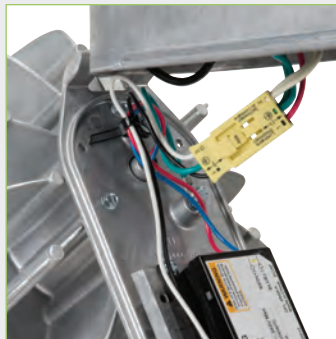


Innovation you can rely on™



Hinged Removable Power Door

Driver is mounted to the door. Power door hangs securely and can be easily removed. A 6kV/3kA surge protection is integral to driver.



Quick Disconnects

Connections between power door and housing are made with tool-less quick disconnects.



ANSI/NEMA Refractor Compatible

Fixture works with standard ANSI/NEMA open-bottom refractor.



Optional Surge Protection

Optional UL 1449 Listed 10kV/10kA surge protective device protects against common (line-to-ground) and differential (line-to-line) mode surges.

Ordering Information

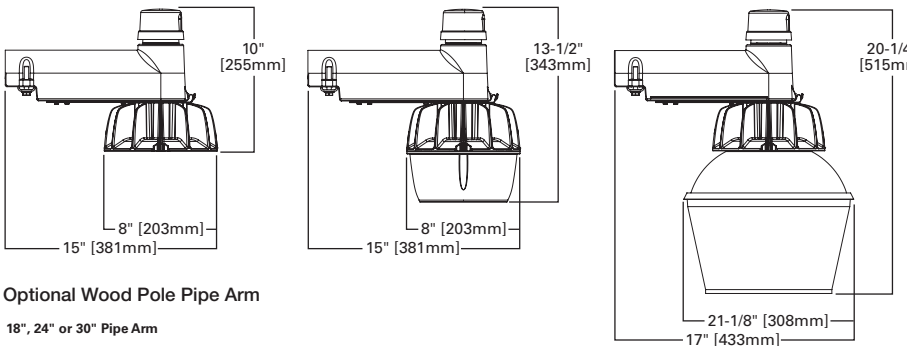
Sample Number: CRTK-A-A08-E-120-5-SR-A

| Product Family | Lumen Package | Driver | Voltage | Distribution |
|--|--|---|--|--------------|
| CRTK-A=Caretaker Dusk-to-Dawn Area Luminaire | A08=8 LEDs A12=12 LEDs ¹ | E=Non-Dimming | 120=120V | 5=Type V |
| Options (Add as Suffix) | | Color | Accessories (Order Separately) | |
| S=Shorting Cap 5=120V NEMA Photocontrol Included 10K=10kV UL 1449 Surge Protection Device UL=UL/CSA Listed SR=Small Acrylic Refractor Included | B18=18" Wood Pole Pipe Arm B24=24" Wood Pole Pipe Arm B30=30" Wood Pole Pipe Arm TH=Tool-less Door Hardware WPBKT=Wall or Wood Pole Mounting Bracket V=(2) 5' #14 Leads 5000=5000K CCT | AP=Grey BZ=Bronze BK=Black DP=Dark Platinum GM=Graphite Metallic WH=White A=Raw Aluminum Unfinished (Standard) ¹ | RMARROA5=ANSI/NEMA Standard Refractor Assembly SR-CARETAKER=Small Acrylic Refractor | |

NOTE: 1 Paint required for 12 LEDs at 40°C ambient. Maximum ambient temperature for 12 LEDs unpainted is 25°C.

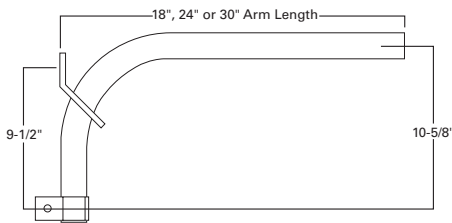
Dimensions

Full Cutoff



Optional Wood Pole Pipe Arm

18", 24" or 30" Pipe Arm



Power and Lumens

| Luminaire Wattage (Nominal) | | 48W | 73W |
|-----------------------------|------------|-------|-------|
| Type V | Lumens | 4,814 | 6,910 |
| | BUG Rating | 2-0-1 | 3-0-1 |
| Type V with SR | Lumens | 4,674 | 6,630 |
| | BUG Rating | 3-3-2 | 3-3-2 |

Lumen Maintenance (8 LEDs)

| Ambient Temperature | TM-21 Lumen Maintenance (36,000 Hours) | Theoretical L70 (Hours) |
|---------------------|--|-------------------------|
| 25°C | > 86% | 87,000 |
| 40°C | > 84% | 72,000 |

Lumen Maintenance (12 LEDs)

| Ambient Temperature | TM-21 Lumen Maintenance (36,000 Hours) | Theoretical L70 (Hours) |
|---------------------|--|-------------------------|
| 25°C | > 83% | 69,000 |
| 40°C | > 82% | 66,000 |

Painted only.

Additional Information

| Compliances | Technical Data (Electronic LED Driver) | EPA Effective Projected Area (Square Feet) | Shipping Data (Approximate Net Weight) |
|---|---|--|--|
| UL and cUL Wet Location Listed IP66 Rated LED Module 3G Vibration Rated ARRA Compliant DesignLights Consortium® Qualified | >0.9 Power Factor <20% Total Harmonic Distortion 120V 50/60Hz -40°C Minimum Ambient Temperature Rating +25°C Maximum Ambient Temperature Rating | 0.67 | 8.0 lbs. (3.6 kgs.) |

| Mfg Part# | Description | Watts | Lumens | Distribution | Refractor | BSE Part# |
|--------------------------------------|---|-------|--------|--------------|---------------|-----------|
| CRTK-A-A08-E-120-5-10K-B24-SR-V-A | D2D LUMINAIRE W/24IN WOOD POLE PIPE ARM | 48 | 4674 | TYPE 5 | Small Acrylic | 3245238 |
| CRTK-A-A08-E-120-5-10K-SR-TH-A | D2D LUMINAIRE | 48 | 4674 | TYPE 5 | Small Acrylic | 3245240 |
| CRTK-A-A08-E-120-5-10K-SR-V-TH-A | D2D LUMINAIRE | 48 | 4674 | TYPE 5 | Small Acrylic | 3205466 |
| CRTK-A-A08-E-120-5-10K-V | D2D LUMINAIRE | 48 | 4814 | TYPE 5 | NA | 3205461 |
| CRTK-A-A08-E-120-5-10K-V-B24-SR-TH-A | D2D LUMINAIRE W/24IN WOOD POLE PIPE ARM | 48 | 4674 | TYPE 5 | Small Acrylic | 3205464 |
| CRTK-A-A08-E-120-5-SR-TH-A | D2D LUMINAIRE | 48 | 4674 | TYPE 5 | Small Acrylic | 3245241 |
| CRTK-R-A08-E-120-2-10K-TH-A | D2D LUMINAIRE | 48 | 4447 | TYPE 2 | NA | 3245229 |
| CRTK-R-A08-E-120-5-10K-B24-V-A | D2D LUMINAIRE W/24IN WOOD POLE PIPE ARM | 48 | 4814 | TYPE 5 | NA | 3245237 |
| CRTK-R-A08-E-120-5-10K-TH-A | D2D LUMINAIRE | 48 | 4814 | TYPE 5 | NA | 3245228 |
| CRTK-A-A12-E-120-5-10K-B24-SR-V-A | D2D LUMINAIRE W/24IN WOOD POLE PIPE ARM | 73 | 6630 | TYPE 5 | Small Acrylic | 3245239 |
| CRTK-A-A12-E-120-5-10K-SR-V-TH-A | D2D LUMINAIRE | 73 | 6630 | TYPE 5 | Small Acrylic | 3205467 |
| CRTK-A-A12-E-120-5-10K-V | D2D LUMINAIRE | 73 | 6910 | TYPE 5 | NA | 3205463 |
| CRTK-A-A12-E-120-5-10K-V-B24-SR-TH-A | D2D LUMINAIRE W/24IN WOOD POLE PIPE ARM | 73 | 6630 | TYPE 5 | Small Acrylic | 3205465 |
| CRTK-R-A12-E-120-5-10K-TH-A | D2D LUMINAIRE | 73 | 6910 | TYPE 5 | NA | 3245231 |
| 10K | 10KV/10KA UL1449 SURGE PRO | - | - | - | - | 3205705 |
| SR-CARETAKER | SM ACRYLIC REFRACTOR | - | - | - | - | 3139436 |



NOTE: Specifications and dimensions subject to change without notice.

